

We specialise in the exclusive manufacture and supply of underground roof control systems which cater for soft and hard rock mining environments.

MSP ROCSET

The MSP Rocset is a mine support configuration utilised in tunnel rehabilitation.

This unique and robust support set includes the following components:

- **MSP ROCPROP Mk III**
- **MSP ROCPROP Clamp**
- **MSP ROCPROP Headboard**
- **MSP ROCPROP Footplate**
- **MSP ROCPROP Studdles**

A complete installation of the MSP Rocset ensures that clients are able to continue to increase productivity and generate revenue without the hassles brought about by unexpected rock fall.

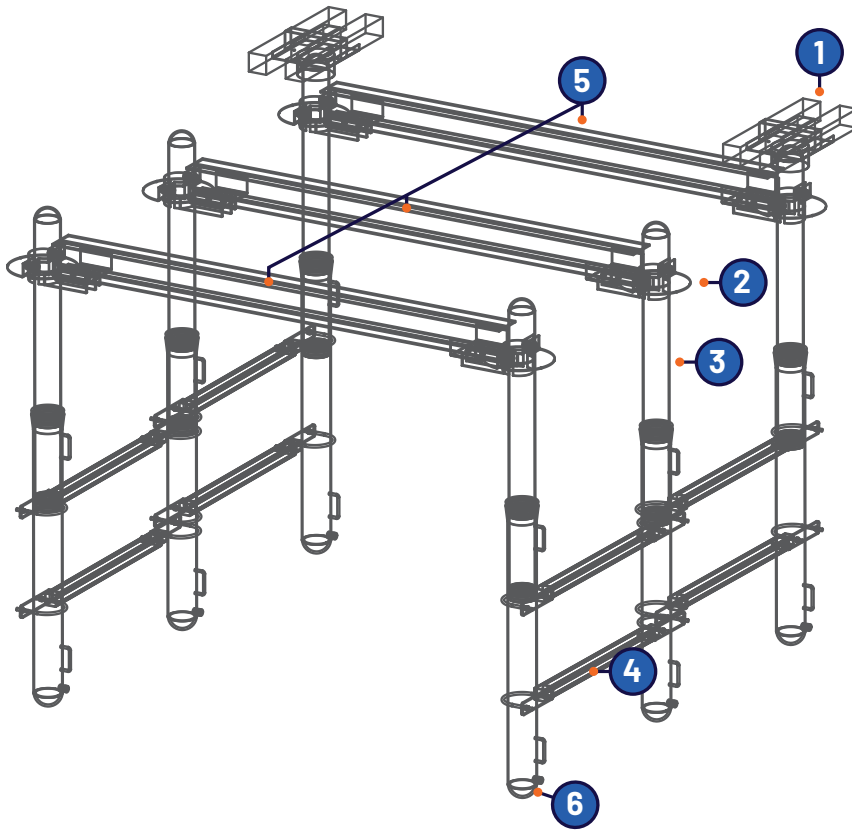
MSP ROCSET ADVANTAGES

- Quick installation
- Time saving
- Easy to install
- Continuous installation from a supported area
- Robust and sturdy
- Cost-effective solution



MINE SUPPORT PRODUCTS

PRACTICAL. PROFITABLE. **PRODUCTIVE.**



NO.	COMPONENT NAME
1	Headboard
2	Clamp
3	Rocprop
4	Side Studdle
5	Top Studdle
6	Footplates

**RELENTLESS
RESISTANCE**
MINE SUPPORT PRODUCTS



GROUP OF COMPANIES

www.msp.co.za

